

## 02: OUTDOOR



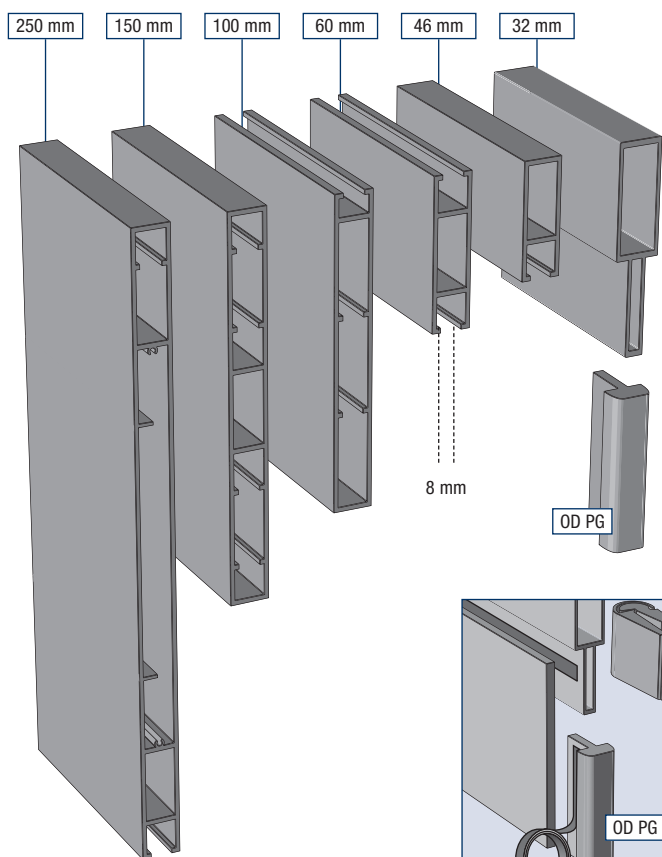
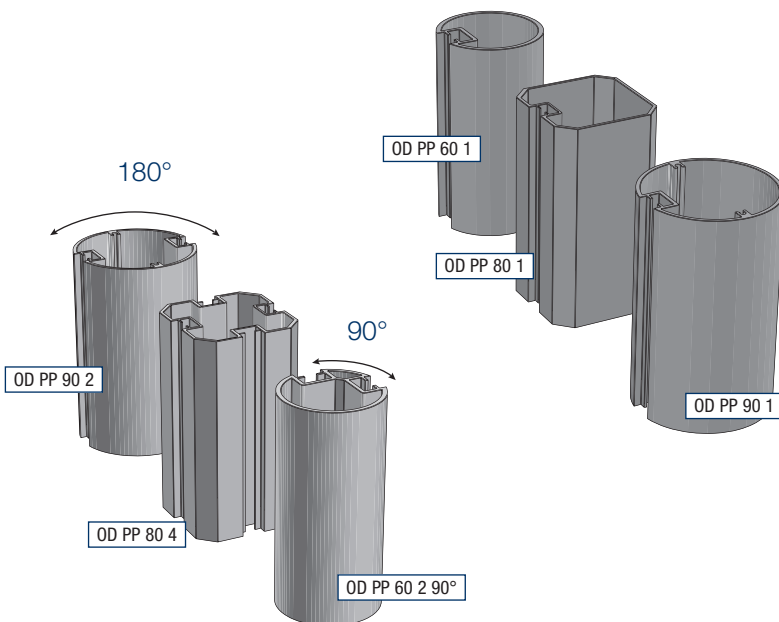
02:OUTDOOR

OVERVIEW PROFILES

POST PROFILES

| CODE       | TYPE       | SIZE              |
|------------|------------|-------------------|
| OD PP 60 1 | One-track  | Ø 60 mm           |
| OD PP 80 1 | One-track  | 80 x 80 mm square |
| OD PP 90 1 | One-track  | Ø 90 mm           |
| OD PP 60 2 | Two-track  | Ø 60 mm 90°       |
| OD PP 80 4 | Four-track | 80 x 80 mm        |
| OD PP 90 2 | Two-track  | Ø 90 mm 180°      |

The length of the uprights is 6.02 m.



LATERAL PROFILES

| CODE      | TYPE       | SIZE   |
|-----------|------------|--------|
| OD PG     | Panel grip | -      |
| OF FP 032 | Face panel | 32 mm  |
| OF FP 046 | Face panel | 46 mm  |
| OF FP 060 | Face panel | 60 mm  |
| OF FP 100 | Face panel | 100 mm |
| OF FP 150 | Face panel | 150 mm |
| OF FP 250 | Face panel | 250 mm |

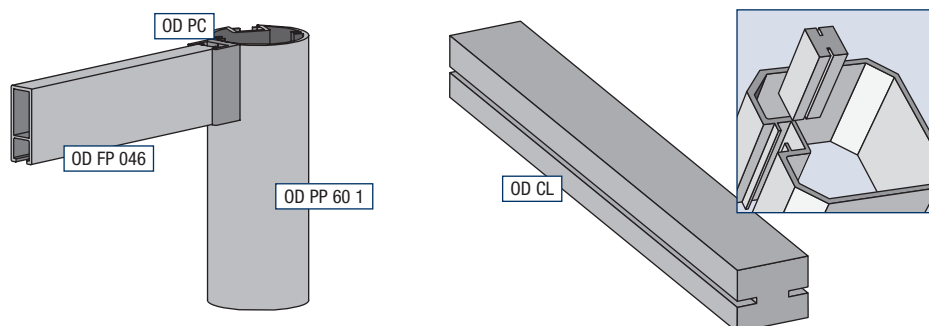
COVER LIST

| CODE  | TYPE       |
|-------|------------|
| OD CL | Cover list |

POST CONNECTOR

| CODE  | TYPE           |
|-------|----------------|
| OD PC | Post connector |

Fixed on the 60 or 90 mm post, you are able to determine the mounting angle of the text panels.

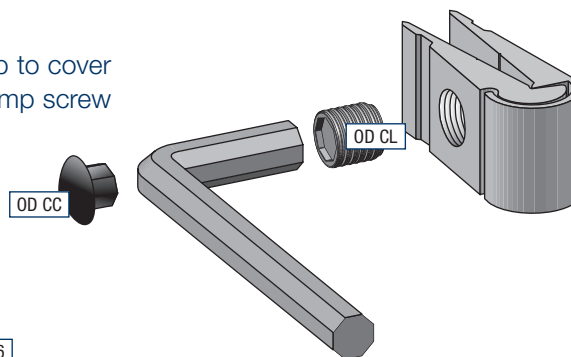


Profiles in mill finish, anodised and RAL.  
Plastic accessories in black and grey. White finish, as long as available.

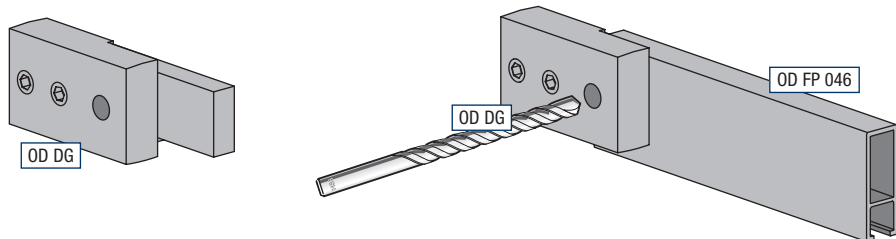
## OVERVIEW ACCESSORIES

| CODE  | TYPE                       |
|-------|----------------------------|
| OD CL | Clamp with inox screw M 10 |
| OD CC | Plastic cap for clamp      |
| OD DG | Drill guide                |

Plastic cap to cover the clamp screw



### DRILL GUIDE

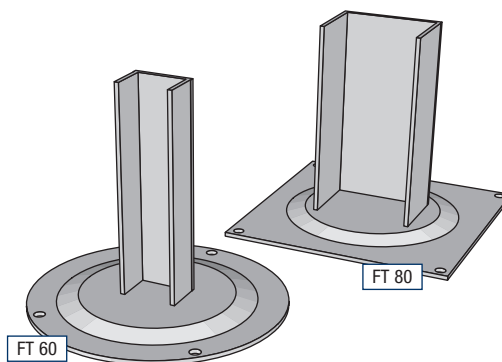
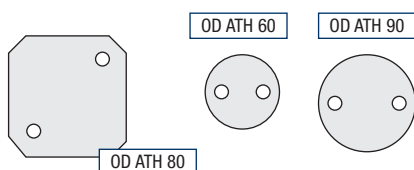


### TOP HAT CAPS ALU

| CODE      | TYPE         | SIZE       |
|-----------|--------------|------------|
| OD ATH 60 | Top hat caps | Ø 60 mm    |
| OD ATH 90 | Top hat caps | Ø 90 mm    |
| OD ATH 80 | Top hat caps | 80 x 80 mm |

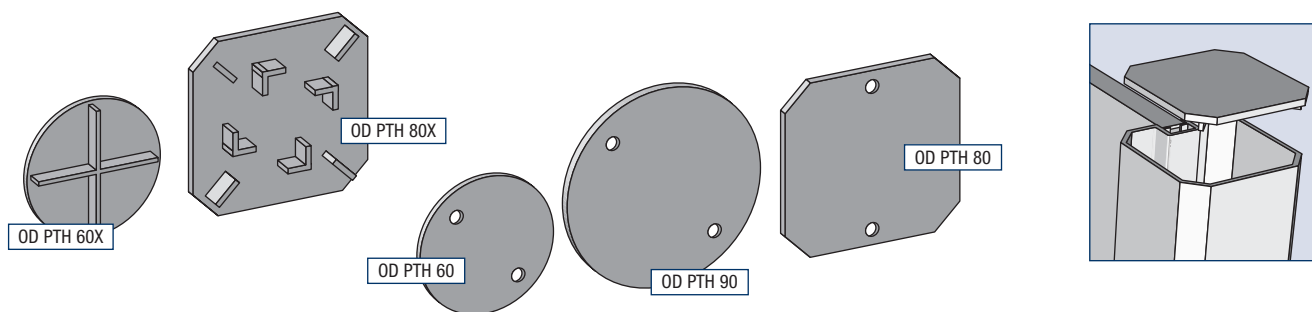
### FOOT

| CODE       | TYPE                     |
|------------|--------------------------|
| FT 60 1-TR | Foot for post 60 1-track |
| FT 60 2-TR | Foot for post 60 2-track |
| FT 80      | Foot for post 80 1-track |



### PLASTIC ENDCAPS

| CODE       | TYPE   |
|------------|--|
| OD PTH 60X | Plastic top-hat for post 60 mm - for 1-track only - without screwholes |
| OD PTH 60  | Plastic top-hat for post 60 mm - with screwholes                       |
| OD PTH 90  | Plastic top-hat for post 90 mm - with screwholes                       |
| OD PTH 80X | Plastic top-hat for post 80 mm - for 1-track only - without screwholes |
| OD PTH 80  | Plastic top-hat for post 80 mm - with screwholes                       |



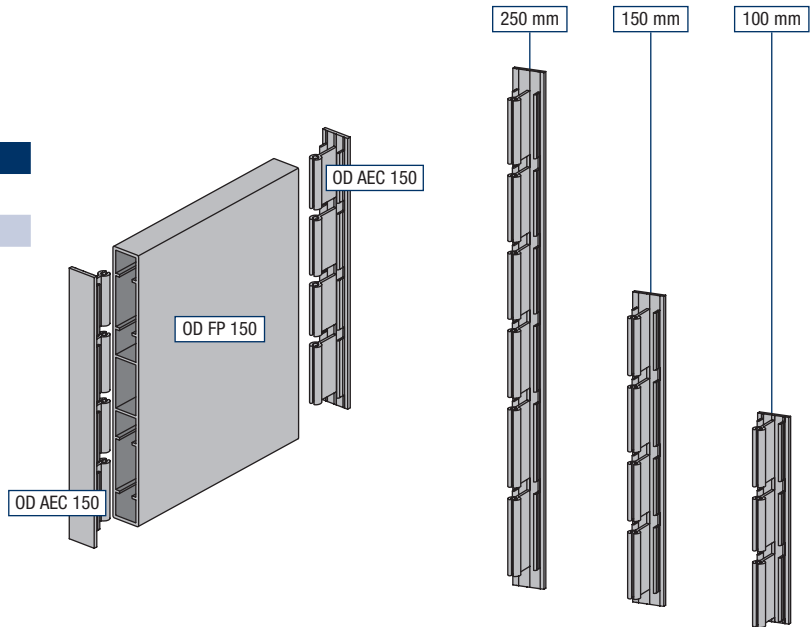
Covers all your outdoor needs

02:OUTDOOR

OVERVIEW ACCESSORIES

ALU END CAPS

| CODE       | TYPE                       | SIZE   |
|------------|----------------------------|--------|
| OD AEC 100 | Alu end cap for face panel | 100 mm |
| OD AEC 150 | Alu end cap for face panel | 150 mm |
| OD AEC 250 | Alu end cap for face panel | 250 mm |



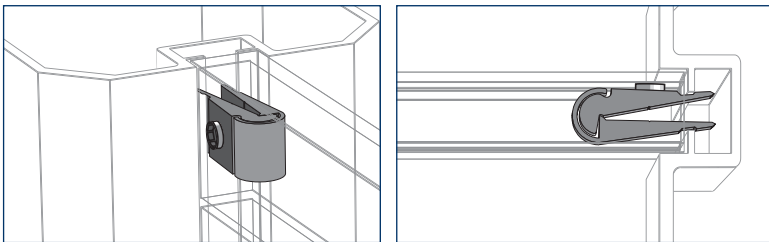
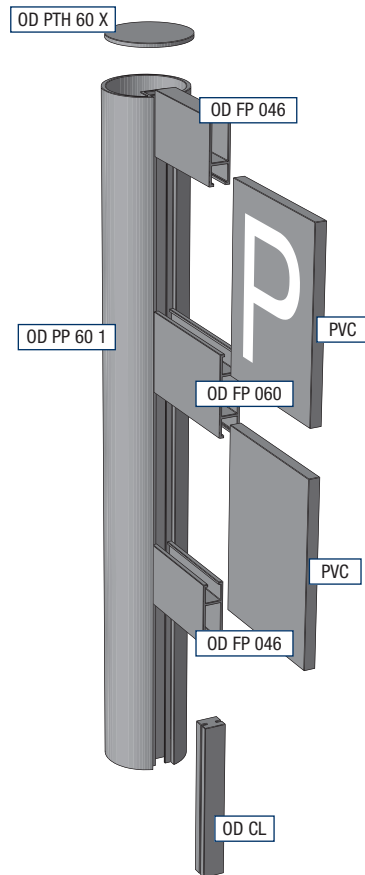
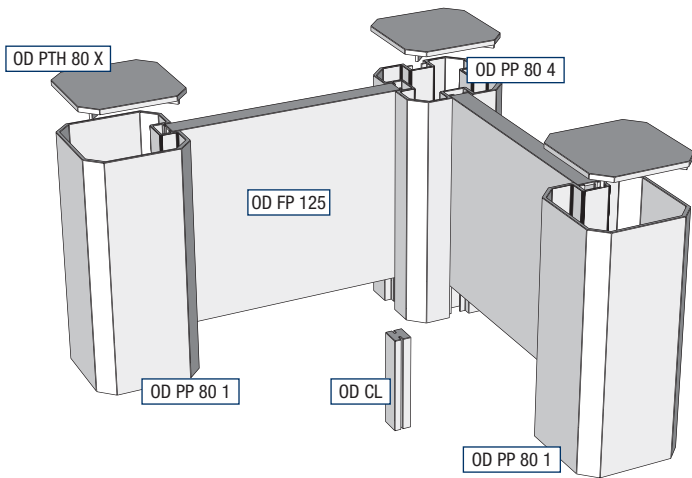
CONSTRUCTION EXAMPLES

OUTDOOR SYSTEM

SQUARE 80 X 80 MM

ROUND Ø 60 MM

16



Fitting of the clamp OD CL in a box profile and post, transparant view

*Covers all your outdoor needs*